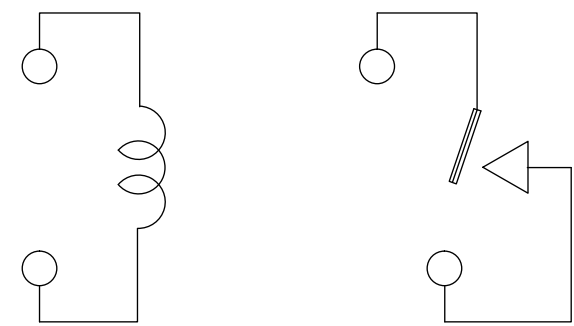
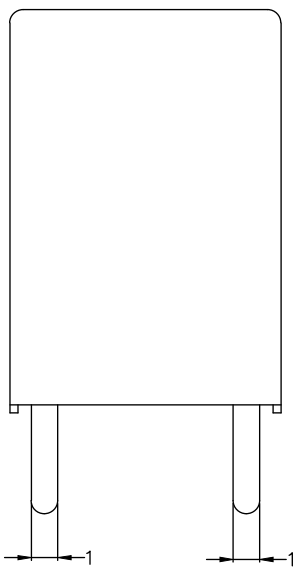
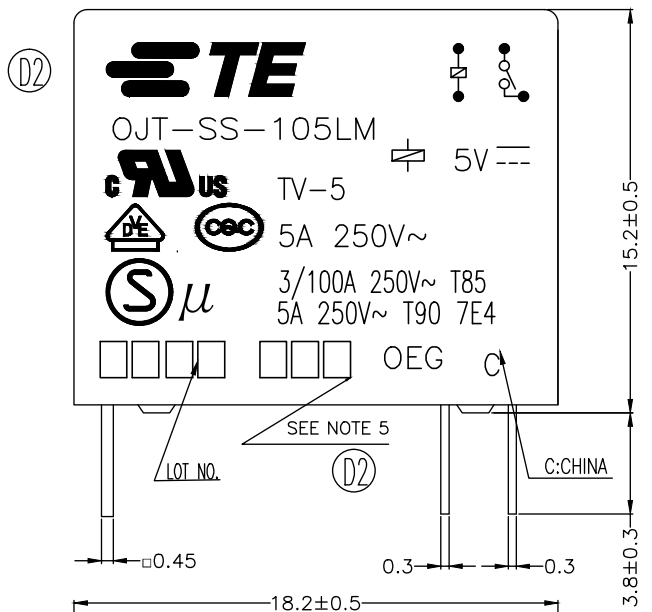


THIS DRAWING IS UNPUBLISHED. RELEASED FOR PUBLICATION
 © COPYRIGHT - By - TE CONNECTIVITY ALL RIGHTS RESERVED.

| LOC | DIST | REVISIONS | | | | |
|-----|------|-------------|------------------------------------|-----------|------|-----|
| P | LTR | DESCRIPTION | DATE | DWN | APVD | |
| HB | - | E | UNIFY GROOVE OF GLUE ECO-15-012528 | 27Aug2015 | YS.H | CSM |



CONNECTION FIGURE

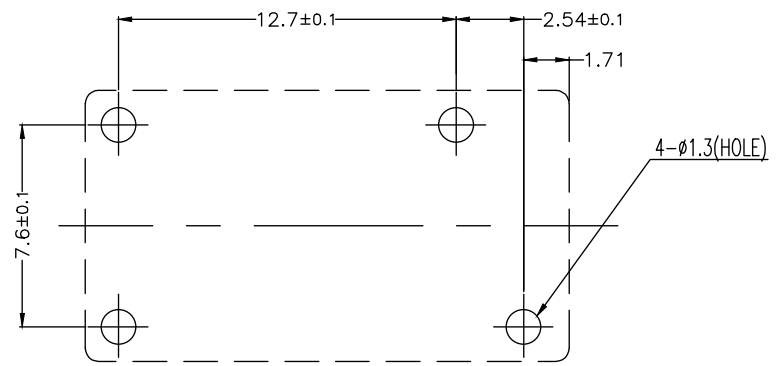
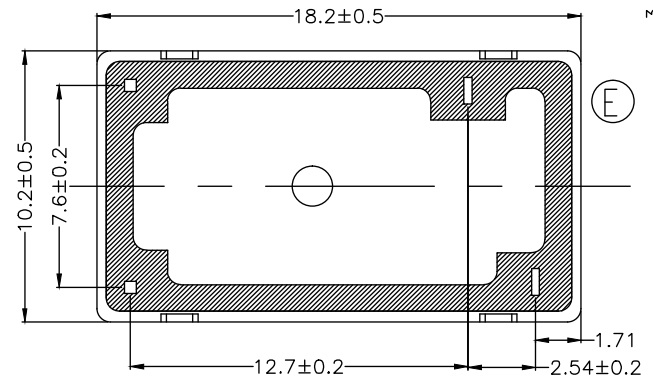


FIGURE FOR PRINTED CIRCUIT BOARD PROCESSING (BOTTOM VIEW)

| Diagram dimension | Tolerance |
|-------------------|-----------|
| 0.99mm max. | ±0.1mm |
| 1 - 2.99mm | ±0.2mm |
| 3mm min. | ±0.3mm |



| | | | | | | |
|--|--|------------------|----------|-----------------------------------|---------------------------|------------|
| THIS DRAWING IS A CONTROLLED DOCUMENT. | | DWN | Fu.Bo | - | TE TE Connectivity | |
| DIMENSIONS: mm | | CHK | Zhang.XN | - | | |
| TOLERANCES UNLESS OTHERWISE SPECIFIED: | | APVD | Yang.Wen | - | NAME | |
| 0 PLC ± - | | PRODUCT SPEC | - | OJT-SS-1**LM.000 CUSTOMER DRAWING | | |
| 1 PLC ± - | | APPLICATION SPEC | - | RESTRICTED TO | | |
| 2 PLC ± - | | WEIGHT | - | SIZE | CAGE CODE | DRAWING NO |
| 3 PLC ± - | | MATERIAL | FINISH | A3 | 00779 | 1461492 |
| 4 PLC ± - | | | | CUSTOMER DRAWING | SCALE | SHEET |
| ANGLES ± - | | CUSTOMER DRAWING | | 5:1 | 1 OF 2 | E |

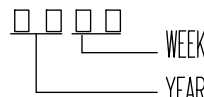
THIS DRAWING IS UNPUBLISHED. RELEASED FOR PUBLICATION
 © COPYRIGHT - By - TE CONNECTIVITY ALL RIGHTS RESERVED.

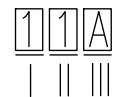
| | | | | | | | |
|-----|------|-----------|-----|-------------|------|-----|------|
| LOC | DIST | REVISIONS | | | | | |
| HB | - | P | LTR | DESCRIPTION | DATE | DWN | APVD |
| | | - | | SEE SHEET 1 | - | - | - |

| | | | | | |
|--------------|-----------|------------------|--------|--------------|------|
| 107-79010 | 1461492-7 | OJT-SS-124LM,000 | 24V | OJT-SS-124LM | g |
| 107-79010 | 1461492-6 | OJT-SS-118LM,000 | 18V | OJT-SS-118LM | f |
| 107-79010 | 1461492-5 | OJT-SS-112LM,000 | 12V | OJT-SS-112LM | e |
| 107-79010 | 1461492-4 | OJT-SS-109LM,000 | 9V | OJT-SS-109LM | d |
| 107-79010 | 1461492-3 | OJT-SS-106LM,000 | 6V | OJT-SS-106LM | c |
| 107-79010 | 1461492-2 | OJT-SS-105LM,000 | 5V | OJT-SS-105LM | b |
| 107-79010 | 1461492-1 | OJT-SS-103LM,000 | 3V | OJT-SS-103LM | a |
| PARKING SPEC | PART NO | EC TYPE NAME | PART B | PART A | TYPE |

(C1)
(D1)

RELAY TYPE

(B) NOTES:
 1. LOT NO. SYSTEM AS FOLLOWING:


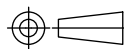

(D2) 5. ADD LOT NO. SYSTEM AS FOLLOWING;

 I, DIGITS FOR DAY OF THE WEEK
 1...MONDAY IN THIS WEEK;
 2...TUESDAY IN THIS WEEK;

 7...SUNDAY IN THIS WEEK

(D2) 2. TERMINAL DIMENSION IS BEFORE SOLDER DIP;
 (D2) 3. FOR THE TIN-PLATING OF THE PINS:
 +0.1mm FOR WIDTH, THICKNESS AND DIAMETER.
 +0.5mm FOR LENGTH.
 (D2) 4. MARKING FROM INK TO LASER.

II, DIGITS FOR SHIFT OF THE DAY
 1...DAY SHIFT IN THIS DAY;
 2...NIGHT SHIFT IN THIS DAY;
 III, ONE CHARACTER DISTINGUISH THE LINE
 IDENTITY, SUCH AS: A,B,....Z

| | | | | |
|------------------|--------------|-------------|----------------------|------|
| | | EPOXY RESIN | SEAL (BASE & BOBBIN) | 15 |
| | | 3UEW | MAGNETIC WIRE | 14 |
| 94V-0 | | P.B.T | CASE | 13 |
| 94V-0 | | P.B.T | BASE | 12 |
| 94V-0 | | P.B.T | BOBBIN | 11 |
| | SOLDER DIP | C.P WIRE | COIL TERMINAL | 10 |
| 94V-0 | | P.B.T | CARD | 9 |
| | | Ag ALLOY | MOVABLE CONTACT | 8 |
| | | Ag ALLOY | NO.CONTACT | 7 |
| | | STEEL | HINGE SPRING | 6 |
| | SOLDER DIP | PBP | NO.TERMINAL | 5 |
| | SOLDER DIP | Cu ALLOY | MOVABLE SPRING | 4 |
| | Cu-Ni PLATED | STEEL | CORE | 3 |
| | Cu-Ni PLATED | STEEL | ARMATURE | 2 |
| | Cu-Ni PLATED | STEEL | YOKE | 1 |
| INCOMBUSTIBILITY | TREATMENT | MATERIAL | DESCRIPTION | ITEM |

| | | | | |
|--|--------------|---|-----------|---------------|
| THIS DRAWING IS A CONTROLLED DOCUMENT. | | DWN | Fu.Bo | - |
| DIMENSIONS: mm | | CHK | Zhang.XN | - |
| TOLERANCES UNLESS OTHERWISE SPECIFIED: | | APVD | Yang.Wen | - |
|  0 PLC ± - 1 PLC ± - 2 PLC ± - 3 PLC ± - 4 PLC ± - ANGLES ± - | PRODUCT SPEC | - | | |
| | MATERIAL | APPLICATION SPEC | - | |
| | FINISH | WEIGHT | - | |
| | - | | - | |
| | |  TE Connectivity | | |
| | | NAME OJT-SS-1**LM.000 CUSTOMER DRAWING | | |
| | | SIZE | CAGE CODE | DRAWING NO |
| | | A3 | 00779 | 1461492 |
| | | CUSTOMER DRAWING | | RESTRICTED TO |
| | | SCALE | SHEET | REV |
| | | 5:1 | 2 OF 2 | E |